



## FEATURES

- Stainless steel construction
- Diaphragm size  $\varnothing 3.18$  or  $\varnothing 3.56$
- $-40^{\circ}\text{C}$  to  $+80^{\circ}\text{C}$  Operating Temperature
- Wide ranges of temperature compensation

## APPLICATIONS

- General lab. testing
- Robotics and machine control
- Automotive testing
- Marine and Flight testing

## EPB

### Miniature Pressure Sensor

#### SPECIFICATIONS

- Ranges from 0.35 to 350 bar (or 5 to 5000 psi)
- References absolute, sealed or vented
- Flush diaphragm
- Designed for static or dynamic measurements
- Accuracy up to  $\pm 0.5\%$  FS

**EPB** is a small pressure probe sensor, small profile, stainless steel, flush mount transducer designed for general media.

The **EPB**'s frequency resonance goes from 55 kHz up to 400 kHz and makes it suitable for both static and dynamic measurements.

The standard version is suitable for many applications, but the dedicated design team at our Transducer Engineering Centre stands ready to provide a custom design as required.

Another version, the **EPB-PW** has been designed for pore water monitoring.

On request, Instruction documents can be provided to ease the selection and use of our sensors and provide helpful tips.

## STANDARD RANGES

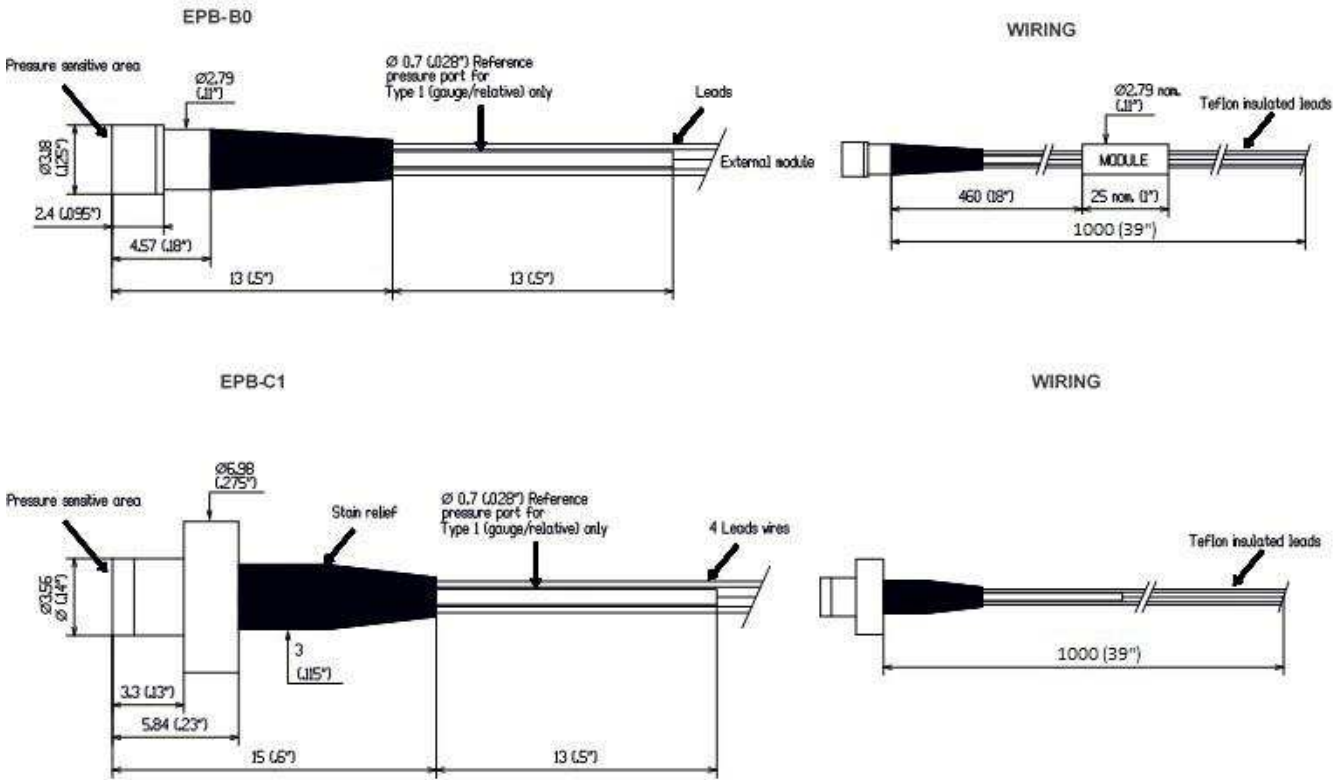
Range (FS)		Pressure Reference			Pressure Limit	Resonant Frequency <sup>(1)</sup> (nom.)	Sensitivity "FSO" (nom.)	CNL&H (%FSO)	Thermal Zero Shift "TZS" (/50°C)
bar	psi	gage	sealed	abs.					
0.35	5	•	•	•	10 x FS	55 kHz	10 mV	± 1%	± 1mV
0.7	10	•	•	•	5 x FS	55 kHz	20 mV	± 1%	± 1mV
1	15	•	•	•	3.5 x FS	55 kHz	30 mV	± 1%	± 1mV
1.5	25	•	•	•	2 x FS	55 kHz	50 mV	± 1%	± 2% FSO
3.5	50	•	•	•	2 x FS	60 kHz	75 mV	± 1%	± 2% FSO
7	100	•	•	•	2 x FS	70 kHz	125 mV	± 0.75%	± 1.5% FSO
15	250	•	•	•	2 x FS	100 kHz	125 mV	± 0.5%	± 1.5% FSO
35	500	•	•	•	2 x FS	150 kHz	125 mV	± 0.5%	± 1.5% FSO
70	1000		•	•	2 x FS	200 kHz	125 mV	± 0.5%	± 1.5% FSO
150	2500		•	•	2 x FS	300 kHz	125 mV	± 0.5%	± 1.5% FSO
350	5000		•	•	2 x FS	450 kHz	125 mV	± 1%	± 1.5% FSO

Note 1: useful frequency is 20% of Resonant Frequency

## PERFORMANCE SPECIFICATIONS (typical values at temperature 23±3°C)

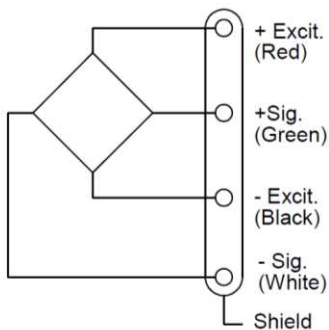
PARAMETERS	VALUES	NOTES
Supply Voltage	10 Vdc	See option table for other Voltages
Input Resistance	1200 Ωnom.	
Output Resistance	350 Ωnom.	
Non-Repeatability	± 0.25% FS	
Thermal Sensitivity Shift in CTR	± 2%/50°C	
Operating Temperature Range (OTR)	-40°C to 120°C	
Compensated temperature Range (CTR)	20°C to 80°C	See option table for other Temperatures
Zero Offset	± 10 mV	
CE conformance according to	EN 61010-1, EN 50081-1, EN 50082-1	

**DIMENSIONS (in metric and imperial)**



Dimension in mm (in inch)

**CONNECTIONS & INSTALLATION**



Note: for **EPB-B0** thermal compensation is made with an external module

**OPTIONS AND ACCESSORIES**

OPTIONS	CODES	DESCRIPTIONS
Compensated Temperature Ranges	<b>Z0</b>	-40°C to 20°C
	<b>Z1</b>	-20°C to 40°C
	<b>Z2</b>	0°C to 60°C
	<b>Z4</b>	40°C to 90°C
	<b>Z*</b>	Non-standard, contact factory
Supply Voltage	<b>V00</b>	Replace "00" with Voltage between 1 and 10. If less than 10, Sensitivity "FSO" will decrease accordingly
	<b>V*</b>	Custom Excitation with standard Sensitivity FSO non-standard TSS
Special Cable Length	<b>L00F</b>	Replace "00" with total length in feet
	<b>L00M</b>	Replace "00" with total length in meters
Special Module Location for EPB-B0	<b>M00F</b>	Replace "00" with distance between sensor and module in feet
	<b>M00M</b>	Replace "00" with distance between sensor and module in meters
Waterproofing Cable Exit	<b>X</b>	Short Term Waterproofing (only for EPB-C1 sealed or absolute)
Connector Wired to Leads or Cable	<b>C</b>	Microtech type male or equivalent (w/o mate)
	<b>RS</b>	RJ Telephone type male (w/o mate)

**ORDERING INFORMATION**

<b>EPB</b>	-	<b>B0</b>	<b>1</b>	-	<b>7B</b>		-	<b>/Z1/V5/L3M/M2M</b>
Model	-	Body	Pres. Ref.	-	Range & Unit <sup>(1)</sup>		-	/Options
<b>EPB</b>	-	<b>B0</b> <b>C1</b>	<b>1</b> = Gauge <b>2</b> = Sealed <b>3</b> = Absolute	-	<b>0.35B</b> <b>0.7B</b> <b>1B</b> <b>1.5B</b> <b>3.5B</b> <b>7B</b> <b>15B</b> <b>35B</b> <b>70B</b> <b>150B</b> <b>350B</b>	<b>5P</b> <b>10P</b> <b>15P</b> <b>25P</b> <b>50P</b> <b>100P</b> <b>250P</b> <b>500P</b> <b>1KP</b> <b>2.5KP</b> <b>5KP</b>	-	<b>/Z0, Z1, Z2, Z4 or Z*</b> <b>/V1 thru V10 or V*</b> <b>/L00F or L00M</b> <b>/M00F or M00M</b> <b>/X</b> <b>/C or RS</b>

The information given herein, including drawings, illustrations and schematics which are intended for illustration purposes only, is believed to be reliable. However, TE Connectivity makes no warranties as to its accuracy or completeness and disclaims any liability in connection with its use. TE Connectivity's obligations shall only be as set forth in TE Connectivity's Standard Terms and Conditions of Sale for this product and in no case will TE Connectivity be liable for any incidental, indirect or consequential damages arising out of the sale, resale, use or misuse of the product. Users of TE Connectivity products should make their own evaluation to determine the suitability of each such product for the specific application.

中国大陆  
西安鑫源宇通电子科技有限公司  
陕西省西安市高新区科技六路西段  
西安国家数字出版基地A栋12402  
Tel: 400-780-9688  
[sales@senstechxyz.com](mailto:sales@senstechxyz.com)

中国香港  
深大实业有限公司  
香港新界沙田安平街6号新贸易  
中心B座13楼06室  
Tel: +86 17792099916  
[info@caltropinstruments.com](mailto:info@caltropinstruments.com)

新加坡  
深大实业有限公司  
香港新界沙田安平街6号新贸易  
中心B座13楼06室  
Tel: +86 17792099919  
[info@senstechxyz.com](mailto:info@senstechxyz.com)