

FS-07

FS Series Flow Sensor

Features

- ◆ Rugged Brass housing
- ◆ Minimum pressure drop
- ◆ Operates from a small head of water
- ◆ Vertical mount +/-15
- ◆ Suitable for water and air flow switching

Comments

- ◆ 3/4" BSP male and female threads
- ◆ Suitable for hot and cold potable water
- ◆ Reed Switch Reliability (UL File E153493)
- ◆ Easy installation

Applications

- ◆ Mains water control
- ◆ Power shower
- ◆ Central heating systems
- ◆ Circulation pump protection
- ◆ Cooling systems

FS-07

FS Series | Flow Sensor

Material

Housing Material	Brass
Shuttle Material	Noryl
Contact Material	Triac
Operating Temperature °C	-30 to 100
Medium	Water
Housing Colour	Brass

Mechanical Specifications

Shock	50g for 11mS duration
Vibration	35g up to 500Hz
Maximum Pressure	10 Bar @ 20
IP	IP65
Switch On Flow Rate L/min	1.0

Switching

Switch Action (Reed Switch)	SPST
Max Switching Voltage VDC	N/A
Max Switching Voltage VAC	250
Max Switching Current Amps	3
Operate Mode	N/O, close with Flow
Contact Form	A

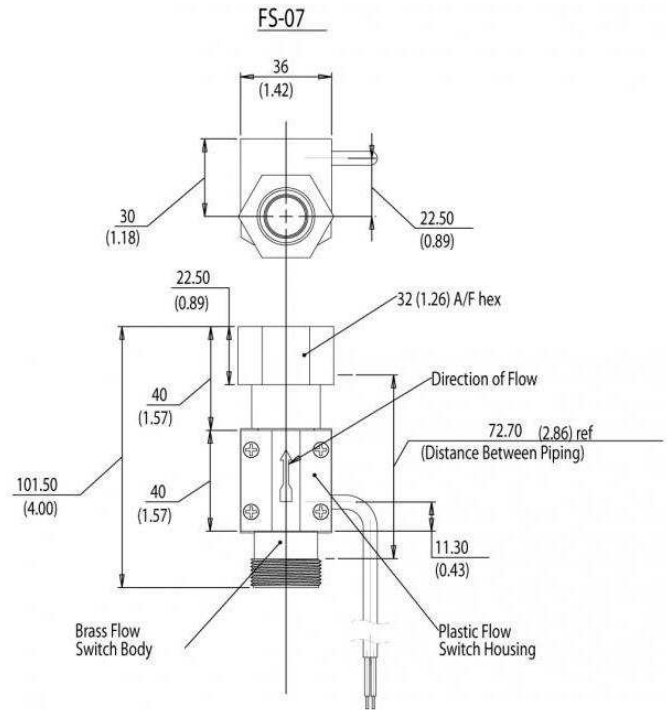
Cable

Cable Length	1 x 1.0M double insulated
Connection Type	Stripped Cables
Cable Type	0.5MM2 BS6500 PVC
Cable Colour	Grey outer Blue/Brown inner

Mounting

Fitting	22mm Compression
Fitment	In Line
Mounting	Vertical, flow upwards

Technical Drawing



The information given herein, including drawings, illustrations and schematics which are intended for illustration purposes only, is believed to be reliable. However, TE Connectivity makes no warranties as to its accuracy or completeness and disclaims any liability in connection with its use. TE Connectivity's obligations shall only be as set forth in TE Connectivity's Standard Terms and Conditions of Sale for this product and in no case will TE Connectivity be liable for any incidental, indirect or consequential damages arising out of the sale, resale, use or misuse of the product. Users of TE Connectivity products should make their own evaluation to determine the suitability of each such product for the specific application.

中国大陆
西安鑫源宇通电子科技有限公司
陕西省西安市高新区科技六路西段
西安国家数字出版基地A栋12402
Tel: 400-780-9688
sales@senstechxyz.com

中国香港
深大实业有限公司
香港新界沙田安平街6号新贸易
中心B座13楼06室
Tel: +86 17792099916
info@caltropinstruments.com

新加坡
深大实业有限公司
香港新界沙田安平街6号新贸易
中心B座13楼06室
Tel: +86 17792099919
info@senstechxyz.com