

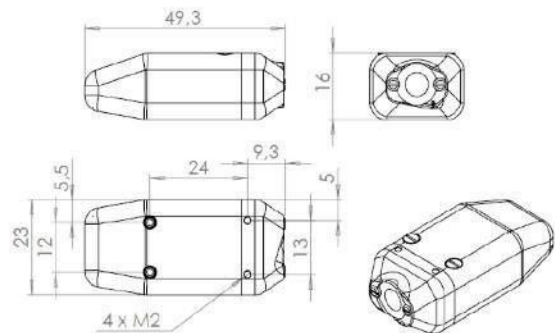


IRN8-WS4

Wireless 8ch IR tire temperature sensor

Slave/Sensor

Range	-20 to + 200°C -20 to +140°C
Measurement Accuracy	8 channels in line ± 1 % FS
Response time	260 ms at FS
RF Frequency	868 MHz or 920 MHz
Receiver Sensitivity	-112 dBm
Transmit Power	0 to 10 dBm (1 to 10mW) (Default setting 10mW)
Battery Rating Voltage	3.6V
Battery capacity @25°C	400mAh
Avg current consumption @25°C	Sleep mode : 0.005 mA Idle mode : 0.1 mA Run mode 10Hz : 9 mA
Dimensions	49.3 x 23 x 16mm
Material	Plastic
Operating temp	-20 to + 85°C
Storage temp	-20 to + 85°C

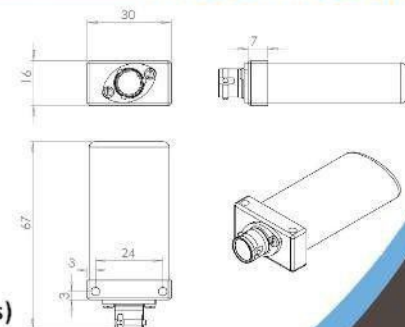


Distance	Øtarget per channel	Total width
200 mm	30 mm	152 mm
300 mm	45 mm	228 mm
400 mm	60 mm	304 mm
500 mm	75 mm	380 mm
600 mm	90 mm	456 mm
700 mm	105 mm	532 mm

CAN Bus Output data	2.0A or 2.0B <i>Calibrated temperature :</i> 2 bytes per channel (signed integer) Resolution: 0.1°C / bit <i>Sensor battery voltage:</i> 1 byte per sensor. Format: $V_{bat} = 2.5 + (0.01 * raw)$ <i>Sensor internal temperature:</i> 1 byte per sensor Resolution: 0.5°C/bit Programmable (Baudrate/Emission Freq./IDs)
Parameters	
Supply voltage	6 to 16V
Supply current	45 mA
Dimensions	66x30x16 mm
Operating temp	-20 to + 85°C
Storage temp	-20 to + 85°C

PIN	Function
1	Supply
2	0 V
3	CAN Low
4	CAN High
5	Reserved, do not connect
6	Reserved, do not connect

Connector : BSTA00406PN
Mating connector : BSTA60406SN



Master/Receiver

In the interest of continuous product improvement, we reserve the right to alter without prior notice the specifications and features described in this document.