

# PI-6 TCK

## Pitot & temperature sensor

### Temperature

Range	-40 to +150°C
Accuracy	± 0.25 %FS
Cold junction error	± 0.7°C
Sensitivity	25 mV mV/°C
Sampling freq.	5 Hz
Calibrator	Calog temperature

### pressure

Range	50 to 76 mbar 0.72 to 1.10 PSI
Accuracy	±1 %FS
Gravity sensitivity	0.20 mbar/G
Sampling freq.	100 Hz
Offset	0.5 +/- 0.1 V
Sensitivity	See calibration table
Offset drift (0 to 85°C)	20 mV
Sensitivity drift (0 to 85°C)	±1 %FS
Calibrator	Mensor CPC4000

### Common

Supply voltage	6 to 16V
Supply current	10 mA
Output voltage	0 to 5 V
Output impedance	100 Ω
Dimensions	45.5 x 25 x 16.5 mm
Material	Aluminium
Weight (without cable)	65 g
Box protection	IP64
Vibration test	20 Gpp5'
Shock	500 G
Operating temp	-20 to +85°C
Storage temp	-20 to +125°C

Cable: 5x26AWG FEP tinned copper braided (250V 200°C)

Length: ..... mm Tubing: .....

Connector: .....

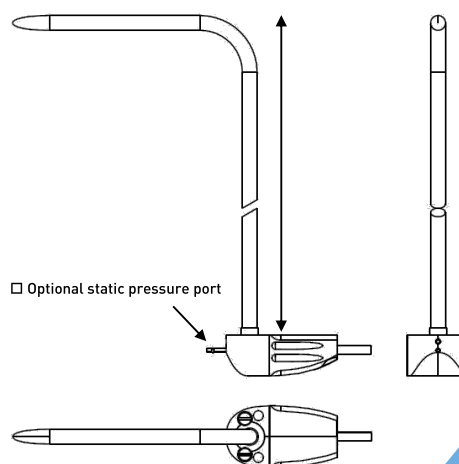
Colour	Function	Pin
Red	Supply	
Black	0V	
White	Analog Pressure Signal	
Green	Analog Temperature Signal	
Yellow	Reserved (do not connect and isolate)	
Braid	Not connected	

Calibration table temperature

Target °C	Analogue temp output	
-40	0.00	V
0	1.00	
50	2.25	
100	3.50	
150	4.75	

Calibration table pressure

50 mbar	0.5V @ 0mbar	4.5V @ 50mbar	80.00 mV/mbar
70 mbar	0.5V @ 0mbar	4.5V @ 70mbar	57.14 mV/mbar
76 mbar	0.5V @ 0mbar	4.5V @ 76mbar	52.63 mV/mbar



Ordering ref:  
PI-6-TCK - Range mbar - height mm\* - SPP  
50  
70  
76

Optional static pressure port

\*Option: PI-6 tube up to 300 mm (std 130mm)