

The SG1 provides absolute linear position up to a 10-ft. stroke range. Constructed with a rugged polycarbonate body, this model is available in an 80-inch or 120-inch stroke range and offers optional IP67 protection for wet or outdoor installations and an M12 connector for easy installation.

The SG1 uses a precision high-cycle plastic hybrid potentiometer and an extremely durable spring-loaded stainless steel measuring cable to provide an accurate reliable position feedback signal over the entire stroke. With its slim design and versatile mounting bracket, the SG1 has been designed to fit into spaces no other measurement device can. For the OEM customer, custom mounting hardware and electrical connections are available.



## SG1

### Cable Actuated Sensor Voltage Divider Output Signal

Compact Mid-Range String Pot • Absolute Position

80, 120-inch Stroke Range Options

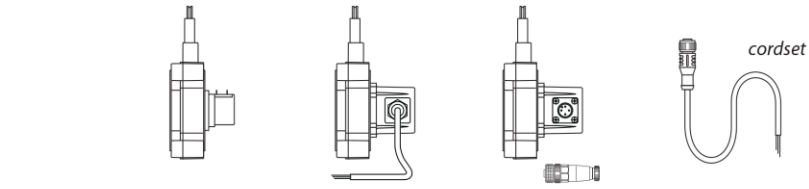
Polycarbonate Enclosure • IP67

In Stock for Quick Delivery

#### Specifications

<b>Stroke Range Options</b>	80 inches (2032 mm), 120 inches (3048 mm)
<b>Output Signal</b>	voltage divider (potentiometric)
<b>Accuracy</b>	.35% FS.
<b>Repeatability</b>	.05% FS.
<b>Resolution</b>	essentially infinite
<b>Measuring Cable</b>	.019-inch dia. nylon-coated stainless steel
<b>Maximum Acceleration</b>	10 g
<b>Measuring Cable Tension</b>	9 oz. (2,5 N) ±30%
<b>Sensor</b>	plastic-hybrid precision potentiometer
<b>Input Resistance</b>	10K ohms, ±10%
<b>Power Rating, Watts</b>	2.0 at 70°F
<b>Recommended Maximum Input Voltage</b>	30 V (AC/DC)
<b>Output Signal Change Over Full Stroke Range</b>	94% ±4% of V(+in)
<b>Cycle Life</b>	≥ 250,000
<b>Electrical Connection</b>	see ordering information
<b>Enclosure</b>	glass-filled polycarbonate
<b>Environmental</b>	IP 50 , IP67 (m12 connector & pigtail options)
<b>Operating Temperature</b>	-40° to 160° F (-40° to 70° C)
<b>Weight, 80-inch (not including bracket)</b>	.6 lbs. (272 g)
<b>Weight, 120-inch (not including bracket)</b>	1 lb. (453 g)

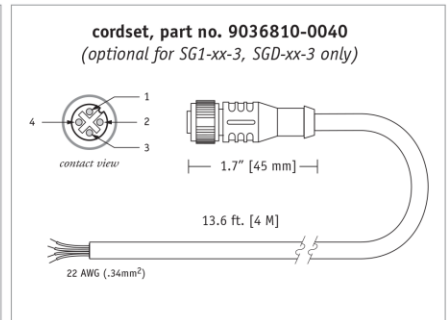
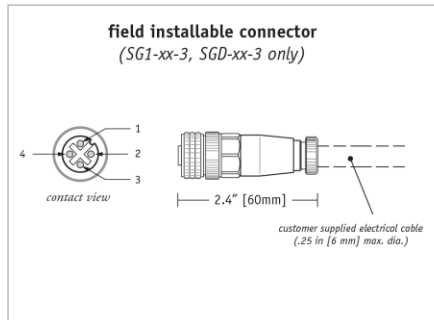
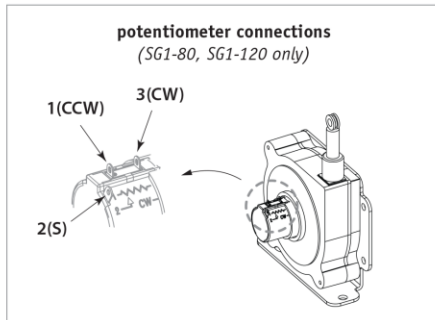
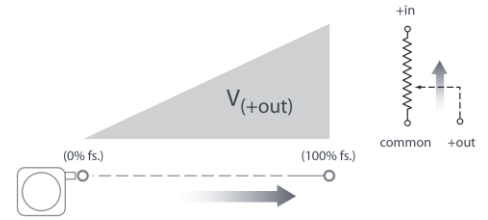
**Electrical Connection**



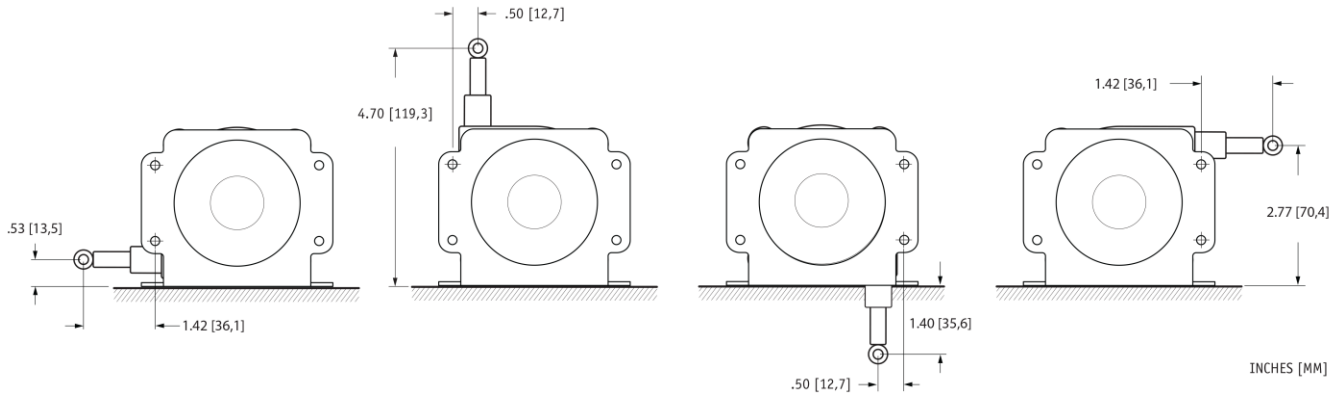
signals	terminal	colorcode	pin*	pin - colorcode*
+in	3 (cw)	red	1	1 - brown
common	1 (ccw)	black	2	2 - white
+out	2 (s)	green	3	3 - blue

\*note: connector pin 4 and the black wire on the cordset are NOT used.

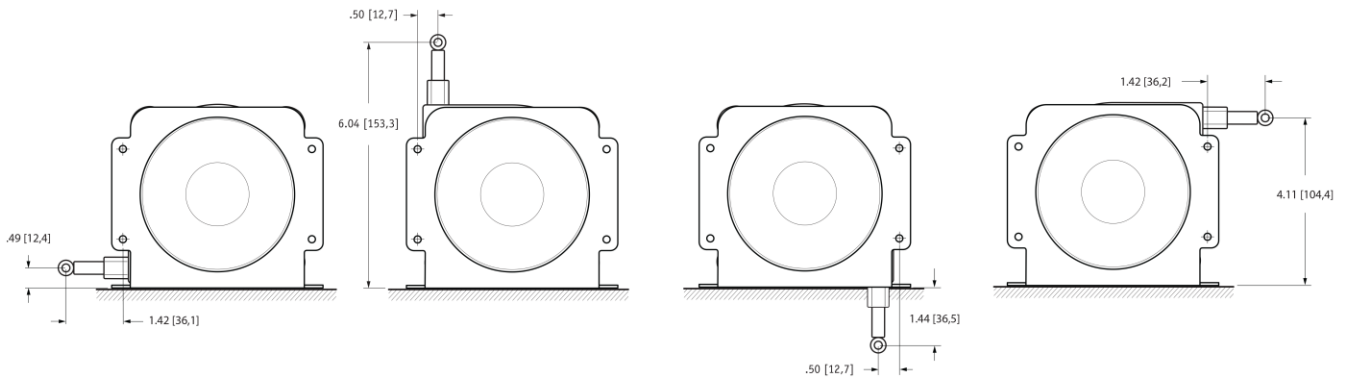
**Output Signal**



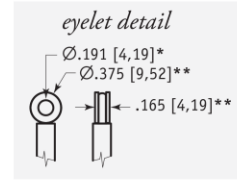
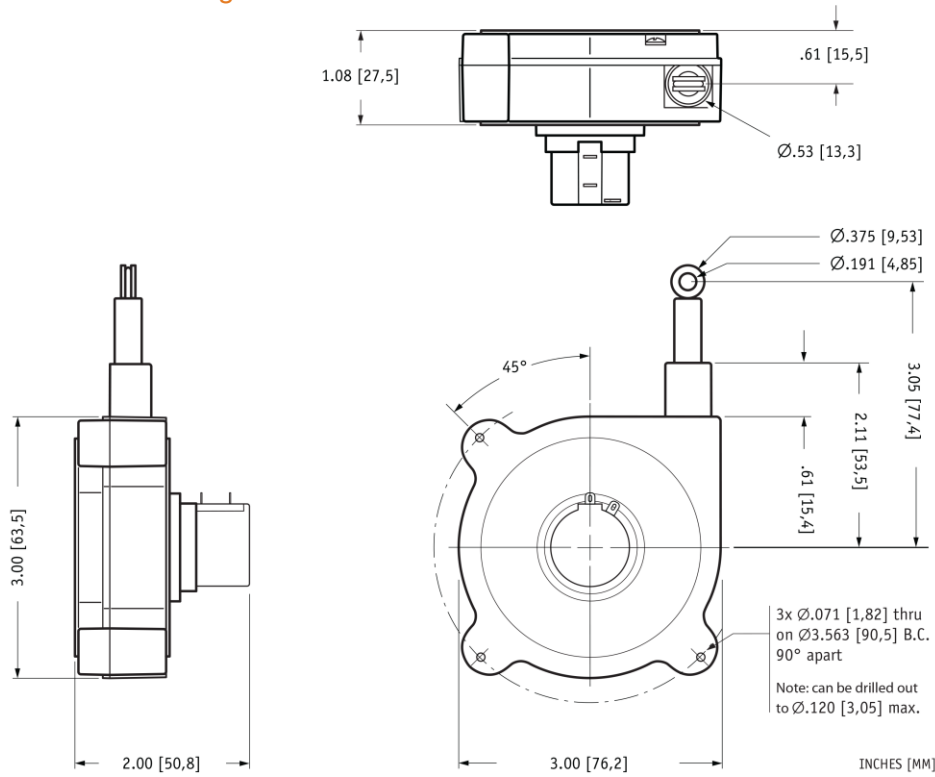
**Mounting Options (SG1-80, SG1-80-2, SG1-80-3):**



**Mounting Options (SG1-120, SG1-120-2, SG1-120-3):**

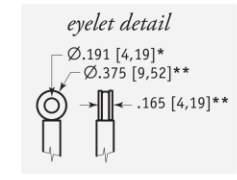
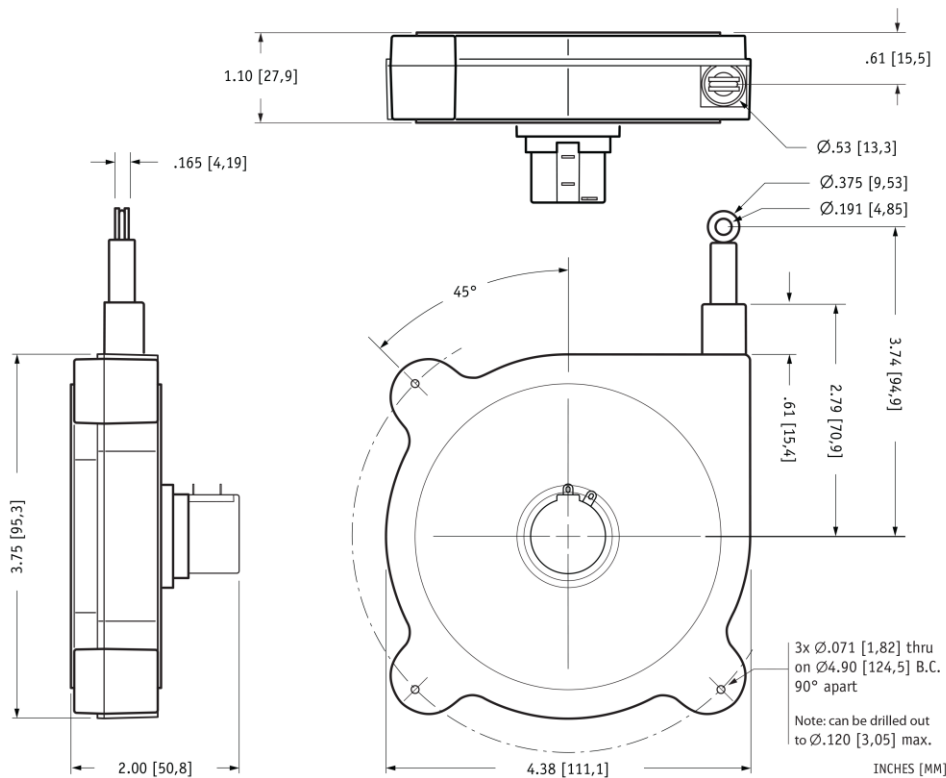


**SG1-80 w/o Mounting Bracket:**



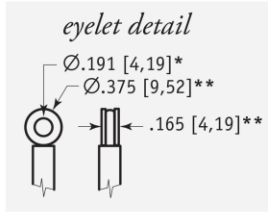
\*tolerance = +.005 -.001 [+.13 -.03]  
 \*\*tolerance = +.005 -.005 [+.13 -.13]

**SG1-120 w/o Mounting Bracket:**

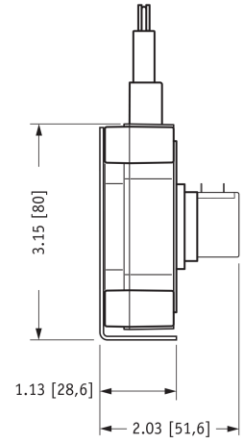
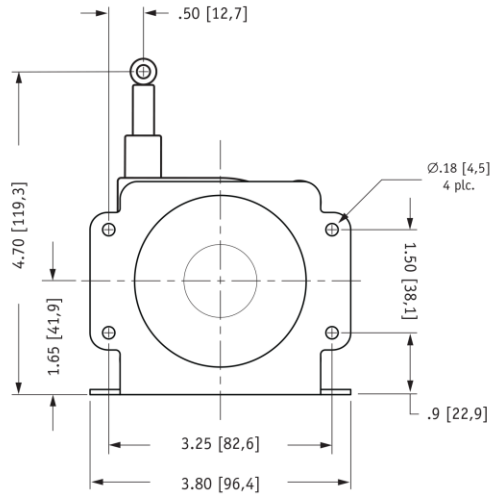
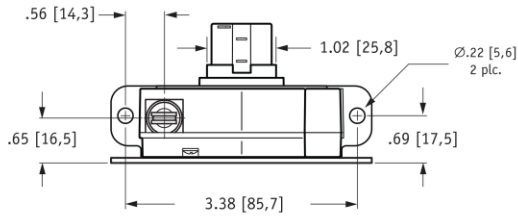


\*tolerance = +.005 -.001 [+.13 -.03]  
 \*\*tolerance = +.005 -.005 [+.13 -.13]

**SG1-80 w/ Mounting Bracket:**

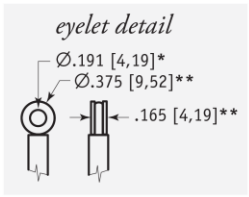


\*tolerance = +.005 -.001 [+13 -.03]  
 \*\*tolerance = +.005 -.005 [+13 -.13]

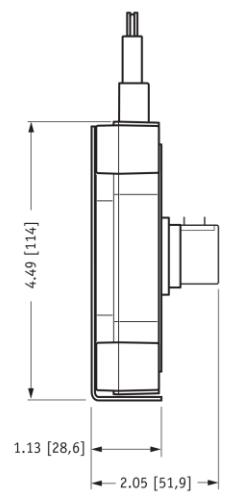
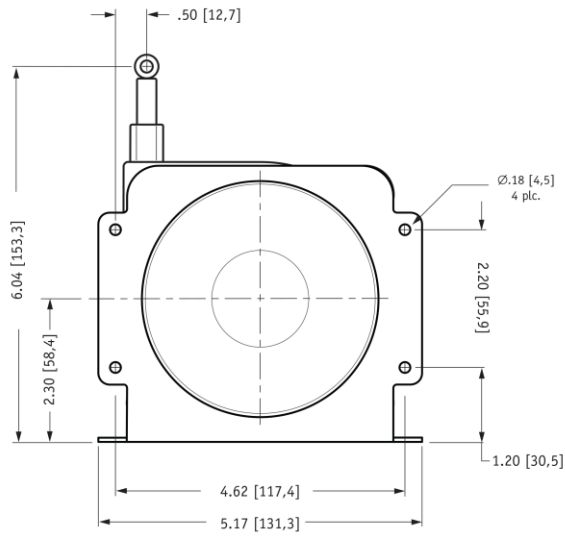
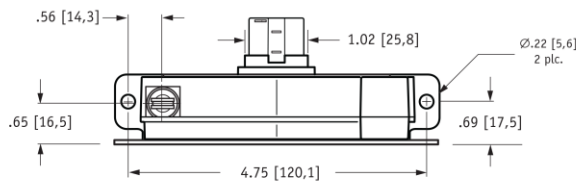


INCHES [MM]

**SG1-120 w/ Mounting Bracket:**

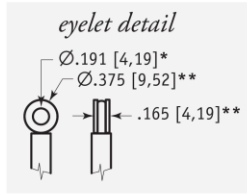


\*tolerance = +.005 -.001 [+13 -.03]  
 \*\*tolerance = +.005 -.005 [+13 -.13]

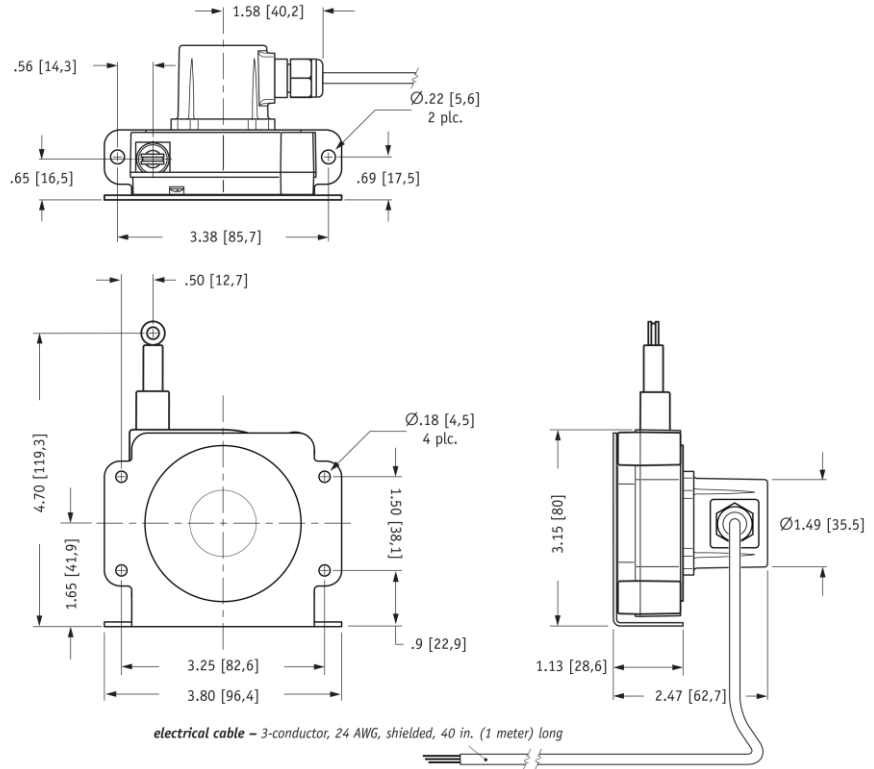


INCHES [MM]

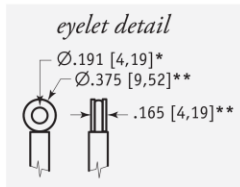
**SG1-80-2 w/ Mounting Bracket:**



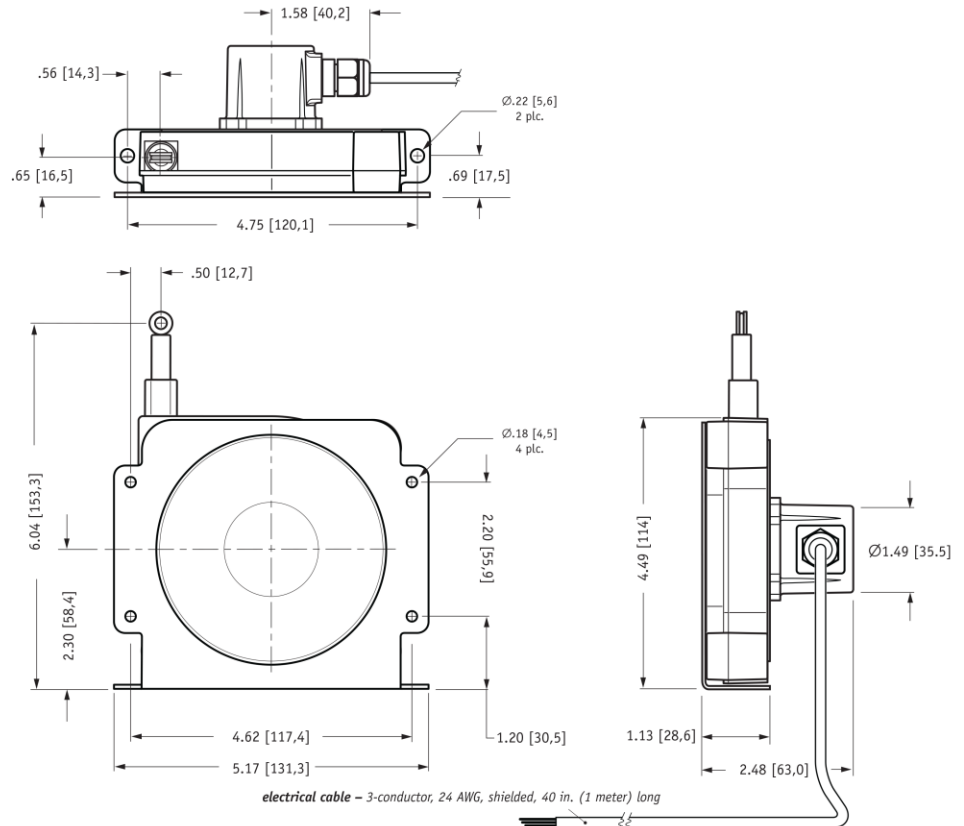
\*tolerance = +.005 - .001 [+13 -.03]  
\*\*tolerance = +.005 - .005 [+13 -.13]



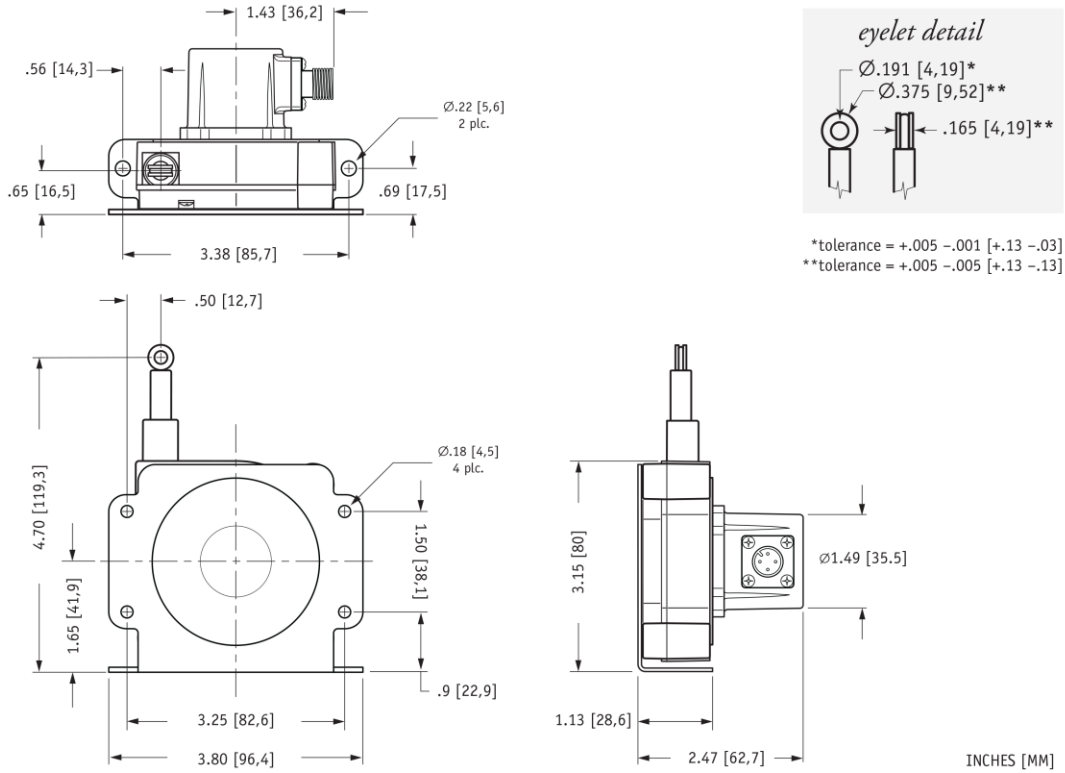
**SG1-120-2 w/ Mounting Bracket:**



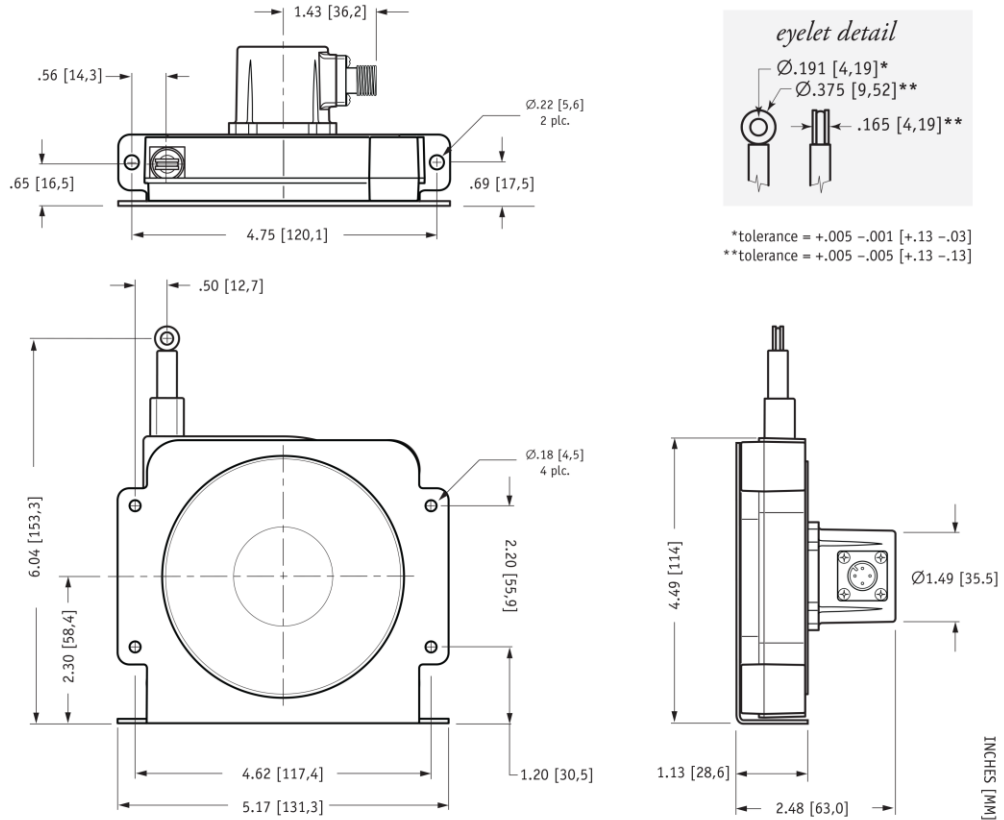
\*tolerance = +.005 - .001 [+13 -.03]  
\*\*tolerance = +.005 - .005 [+13 -.13]



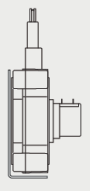

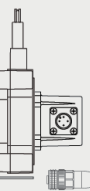

**SG1-80-3 w/ Mounting Bracket:**



**SG1-120-3 w/ Mounting Bracket:**



Ordering Information

	<p>Part No. <b>SG1-80</b></p> <p>80-inch stroke range, solder terminal connection, IP50 environments, mounting bracket included</p>	<p>Part No. <b>SG1-120</b></p> <p>120-inch stroke range, solder terminal connection, IP50 environments, mounting bracket included</p>
	<p>Part No. <b>SG1-80-2</b></p> <p>80-inch stroke range, 40-inch electrical cable, IP67 environments, mounting bracket included</p>	<p>Part No. <b>SG1-120-2</b></p> <p>120-inch stroke range, 40-inch electrical cable, IP67 environments, mounting bracket included</p>
	<p>Part No. <b>SG1-80-3</b></p> <p>80-inch stroke range, M12 connector, IP67 environments, mounting bracket included</p>	<p>Part No. <b>SG1-120-3</b></p> <p>120-inch stroke range, M12 connector, IP67 environments, mounting bracket included</p>
 <p>4-pin M12 connector 13 ft (4 m) 22 AWG (.34mm<sup>2</sup>)</p>	<p><b>Optional Cordset</b></p> <p>Part No. <b>9036810-0040</b></p> <p>for short-run connections, a convenient optional 13-ft. cordset with a 4-pin M12 connector is available for the SG1-80-3 and SG1-120-3.</p>	

The information given herein, including drawings, illustrations and schematics which are intended for illustration purposes only, is believed to be reliable. However, TE Connectivity makes no warranties as to its accuracy or completeness and disclaims any liability in connection with its use. TE Connectivity's obligations shall only be as set forth in TE Connectivity's Standard Terms and Conditions of Sale for this product and in no case will TE Connectivity be liable for any incidental, indirect or consequential damages arising out of the sale, resale, use or misuse of the product. Users of TE Connectivity products should make their own evaluation to determine the suitability of each such product for the specific application.

中国大陆  
西安鑫源宇通电子科技有限公司  
陕西省西安市高新区科技六路西段  
西安国家数字出版基地A栋12402  
Tel: 400-780-9688  
sales@senstechxyz.com

中国香港  
深大实业有限公司  
香港新界沙田安平街6号新贸易  
中心B座13楼06室  
Tel: +86 17792099916  
info@caltropinstruments.com

新加坡  
深大实业有限公司  
香港新界沙田安平街6号新贸易  
中心B座13楼06室  
Tel: +86 17792099919  
info@senstechxyz.com