

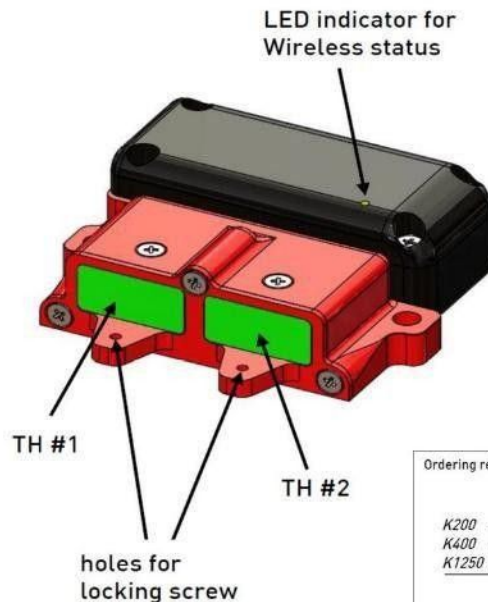


THN2x-W54

THERMOCOUPLE 2 CHANNELS WIRELESS SLAVE FOR SWM

Slave/Sensor

Range	From -100 to 1250 °C
Type	K
Accuracy	±1 °C for FS≤400°C or 0.25%FS for FS>400°C
Cold junction error	± 0.7°C
Sampling freq.	10Hz
RF Frequency Band	868 / 902 / 920 MHz
Receiver sensitivity	-112 dBm
RF Emission Power	0 to 13 dBm (1 to 20mW) (Default setting 10dBm)
Battery Rating Voltage	3.6V
Battery capacity @25°C	750 mAh
Average current consumption @25°C	Idle mode : 0.3 mA to 5mA See user guide Run mode : 10mA @ 10Hz
Dimension	61x56x18 mm
Material	PLASTIC PR751
Weight	80g
Box protection / IP rate	IP50
Vibration test	20Gpp 5'
Shock	500 G
Operating temp	-20 to +85°C
Storage temp	-20 to +85°C

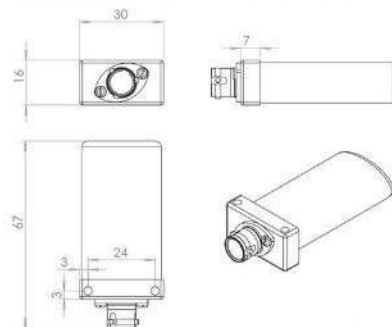


Ordering ref:	THN2xW54 - Range
K200	: type K -50 to 200°C
K400	: type K -100 to 400°C
K1250	: type K -50 to 1250°C
Ex: THN2xW54-K200	

CAN Bus	2.0A or 2.0B
Output data	<i>Calibrated temperature :</i> 2 bytes per channel (signed integer) Resolution: 0.1°C / bit <i>Sensor battery voltage:</i> 1 byte per sensor. Format: Vbat = 2.5 + (0.01 * raw) <i>Sensor internal temperature:</i> 1 byte per sensor Resolution:0.5°C/bit Programmable (Baudrate/Emission Freq./IDs)
Parameters	
Supply voltage	6 to 16V
Supply current	45 mA
Dimensions	66x30x16 mm
Operating temp	-20 to + 85°C
Storage temp	-20 to + 85°C

PIN	Function
1	Supply
2	0 V
3	CAN Low
4	CAN High
5	Reserved, do not connect
6	Reserved, do not connect

Connector : 8STA00406PN
Mating connector : 8STA60406SN



Master/Receiver