

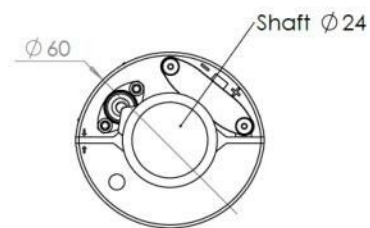
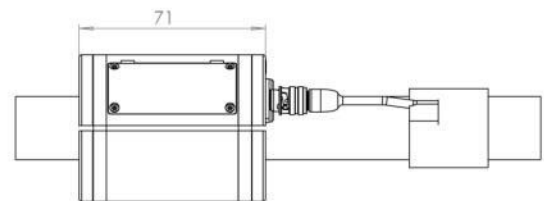


# WTS

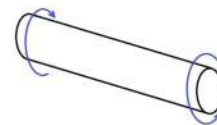
## Wireless torque sensor

|                                    |  |
|------------------------------------|--|
| Resolution                         | 1 N.m  |
| Offset accuracy                    | ± 1.5% FS from 25 to 85°C  |
| Sensitivity accuracy               | ± 1% FS from 25 to 85°C  |
| Sampling frequency Hz              | 1 to 100 Hz  |
| RF Frequency                       | 868 / 902 / 920 MHz  |
| RF Emission Power                  | 0 to 14 dBm (1 to 20mW)<br>(Default setting 14 dBm)  |
| Battery Rating Voltage             | 3.6 V  |
| Battery Capacity @ 25°C            | 1600 mAh   |
| Average current consumption @ 25°C | Sleep mode: 0.01 mA<br>Idle mode: 0.1 mA<br>Run mode: 10 Hz : 10 mA<br>Run mode: 50 Hz : 15 mA<br>Run mode: 100 Hz : 20 mA |
| Dimensions                         | See mechanical design  |
| Material                           | PAQc   |
| Weight (with battery)              | 170 g  |
| Protection                         | IP64   |
| Vibration test / Shock             | 20 Gpp 5' / 500 G  |
| Operating temp                     | -20 to +85°C   |
| Storage temp                       | -20 to +85°C   |

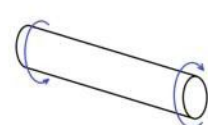
### Slave / Sensor



Negative torque :

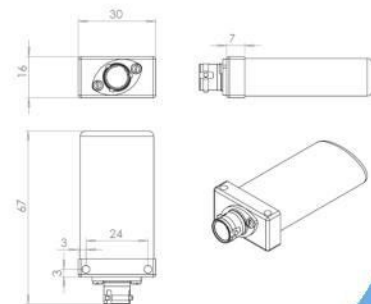


Positive torque :



|             |   |
|-------------|---|
| CAN bus     | 2.0A or 2.0B  |
| Output Data | Sensor battery voltage:<br>1 byte per sensor.<br>Format: Vbat=2.5 + (0.01 * raw)<br>Sensor internal temperature:<br>1 byte per sensor.<br>Res: 0.5°C / bit or RSSI, Res: 1dBm / bit |
| Parameters  | Programmable (baudrate /Emission/<br>Freq. /IDs/RF Power)<br>125K to 1Mbps<br>1Hz, 10Hz, 50Hz or 100Hz<br>6 to 16 V<br>45 mA<br>66 x 30 x 16 mm<br>-20 to 85°C<br>-20 to 85°C       |

### Master / Receiver



| PIN | Function                 |
|-----|--------------------------|
| 1   | Supply                   |
| 2   | 0V                       |
| 3   | CAN Low                  |
| 4   | CAN High                 |
| 5   | Reserved, do not connect |
| 6   | Reserved, do not connect |