



FEATURES

- Tension and/or Compression
- Small design easy to mount
- Wide temperature range in option
- Very small size

APPLICATIONS

- Micro mechanic equipment
- Miniature press-fit device
- Robotics regulation
- Small size actuators

XFTC301

Miniature Load Cell

SPECIFICATIONS

- 0-500N to 0-10kN [112.4 lbf to 2.248k lbf]
- High Stiffness
- Threaded Male Mechanical Fitting
- Linearity < 0,5% FS

The **XFTC301** series has been specifically developed to measure tension and compression in static and dynamic applications. The miniature size facilitates testing where space is at premium.

The sensing element is fitted with a fully temperature compensated Wheatstone bridge equipped with high stability micro-machined silicon strain gages. The use of silicon strain gages optimizes the load cell's performance at low ranges and frequencies.

A strain relief spring strengthens the cable output. With two threaded male studs, the **XFTC301** is easily installed in industrial or OEM applications.

On request, Instruction documents can be provided to ease the selection and use of our sensors and provide helpful tips.

PERFORMANCE SPECIFICATIONS (typical values at temperature 23°C)

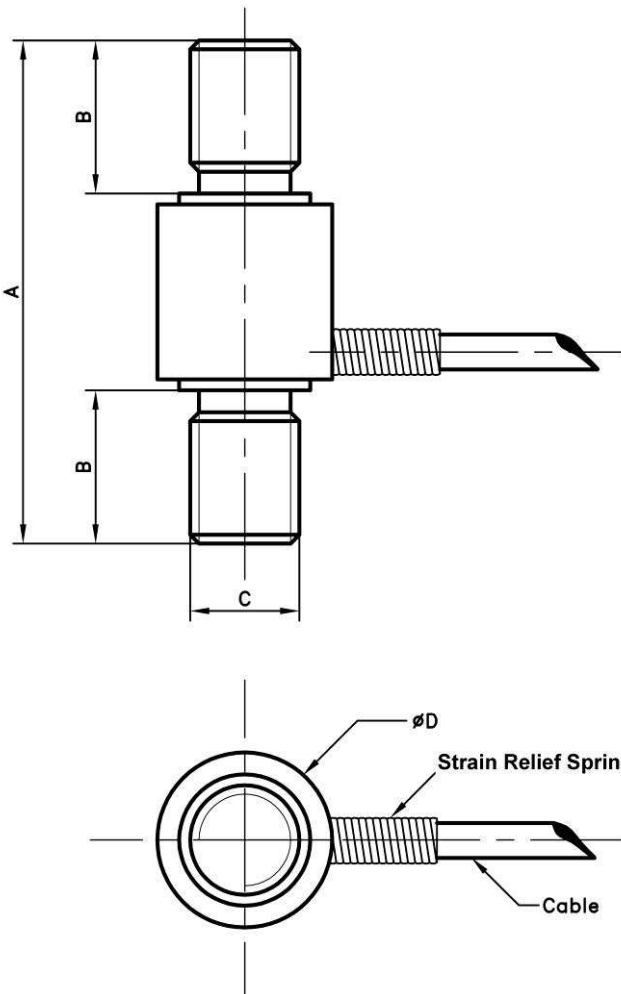
Ranges (FS) (N)	500 N	1 kN	2 kN	5 kN	10 kN
Ranges (lbf)	112.4	224.8	449.6	1124	2248
Material	Aluminium		Stainless steel		
Stiffness (N/m)	1.5E+08	1.5E+08	3.7E+08	4.6E+08	7.8E+08
Stiffness (lbf/ft)	1.0E+07	1.0E+07	2.5E+07	3.2E+07	5.3E+07
Sensitivity (FSO)	70 mV	150 mV	100 mV	150 mV	

Specifications	
Power supply	10Vdc
Overrange Without Damage	2x FS
Overrange Without Destruction	3x FS
Offset	<±10 mV
Input Impedance	1500 ohms
Output Impedance	500 ohms
Linearity	< ±0.5% FS
Hysteresis	< ±0.5% FS
Operating Temperature Range (OTR)	-40°C to +120°C (-40 to 250°F)
Compensated Temperature Range (CTR)	0°C to +60°C (32 to 140°F)
Thermal Zero Shift in CTR	< 2% FS/50°C
Thermal Sensitivity Shift in CTR	< 2%/50°C
Insulation	> 100 Mohms
Protection Index	IP50

Notes

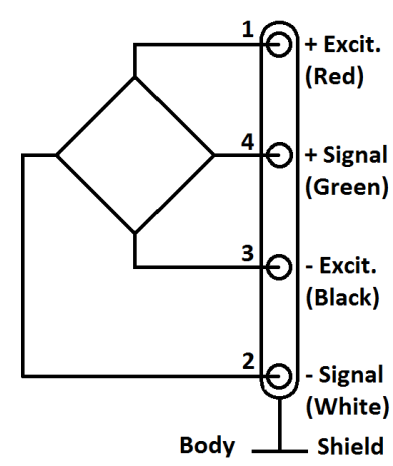
1. Signal goes positive in tension with standard wiring configuration
2. Shielded cable with 4 wires (AWG36/28), standard length 2m [6.5 ft] with strain relief spring
3. Material: Body in stainless steel or aluminum alloy depending on F.S.; Two male threads M5 or [10-32 UNF], M10 or [3/8-24 UNF] depending on F.S. (metric thread is standard)
4. CE conformance according to EN 61010-1, EN 50081-1, EN 50082-1

DIMENSIONS & WIRING SCHEMATIC (IN METRIC AND IMPERIAL)



Separate data sheets are available for load cells with two male/female threads reference XFTC311 and two female threads reference XFTC321. Other threads possible on request.

Wiring Schematic



Dimensions in mm [inch]

Full Scale Range in N	500 – 1000	2000	5000 – 10000
A	36 [1.42]		46 [1.81]
B	12.5 [0.49]		14 [0.55]
C (Thread)	M5		M10
$\varnothing D$	10 [0.39]		16 [0.63]

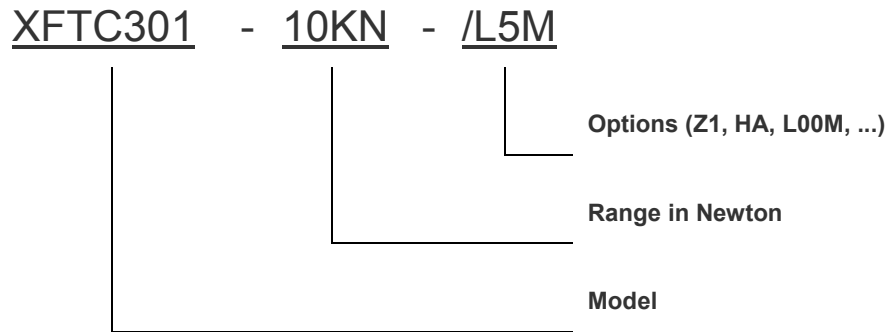
XFTC301

Miniature Load Cell

OPTIONS

Z0	CTR -40°C to +20°C (-40°F to 68°F)
Z04	CTR -40°C to +90°C (-40°F to 194°F)
Z1	CTR -20°C to +40°C (-4°F to 104°F)
Z3	CTR +20°C to +80°C (68°F to 176°F)
Z35	CTR +20°C to +120°C (68°F to 248°F)
Z36	CTR +20°C à +150°C (68°F to 302°F) - Only available for range 2kN / 5kN / 10kN
HA	Accuracy (CNL&H) ≤ ±0.5% F.S.
L5M, L10M, L15M	Special cable length (ex : L5M = 5m length) (Standard cable length 2m)

ORDERING INFO



The information given herein, including drawings, illustrations and schematics which are intended for illustration purposes only, is believed to be reliable. However, TE Connectivity makes no warranties as to its accuracy or completeness and disclaims any liability in connection with its use. TE Connectivity's obligations shall only be as set forth in TE Connectivity's Standard Terms and Conditions of Sale for this product and in no case will TE Connectivity be liable for any incidental, indirect or consequential damages arising out of the sale, resale, use or misuse of the product. Users of TE Connectivity products should make their own evaluation to determine the suitability of each such product for the specific application.

中国大陆

西安鑫源宇通电子科技有限公司
陕西省西安市高新区科技六路西段
西安国家数字出版基地A栋12402
Tel: +86 400-780-9688
sales@senstechxyz.com

中国香港

深大实业有限公司
香港新界沙田安平街6号新贸易
中心B座13楼06室
Tel: +86 17792099916
info@caltropinstruments.com

新加坡

深大实业有限公司
香港新界沙田安平街6号新贸易
中心B座13楼06室
Tel: +86 17792099919
info@senstechxyz.com

